



Catalog Number	
Notes	Type

Features & Specifications

Construction

The housing is made of compression molded fiber reinforced polyester composite. The color impregnated SR2 composite will not flake or peel. The LED light source is housed within a zinc LED body with heat dissipating fins. An anti-siphon chamber is molded into the housing to keep internal electrical components from coming into contact with ground water. Multiple ring/guard assemblies are available for a customizable finish.

Optical System

A 20 watt single source LED is available in a 3000K color temperature. The light source is offered with 15° spot optical assembly. It is mounted on an adjustable yoke that allows it to turn 360 degrees and tilt in any direction. A walkover lens is provided standard with a stainless steel trim ring.

Electrical System

The low voltage LED requires a separate Driver Box / Transformer, mounted in the well for operation.

The amperage draw is .3 amps for 120 volt operation. Three conduit entries are provided at the bottom of the enclosure and an optional entry on the removable cover is also available.

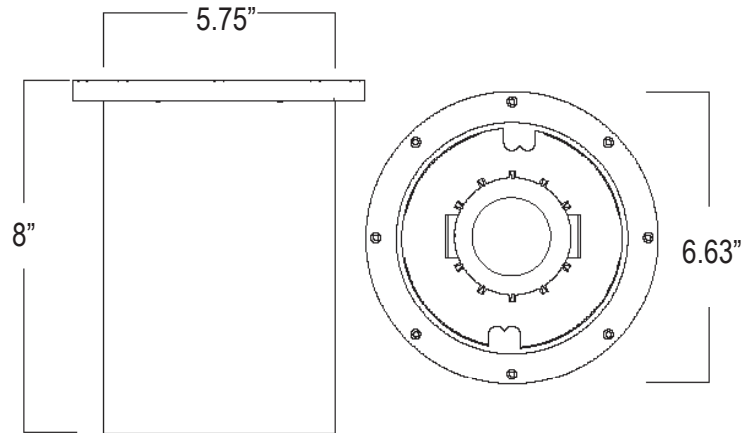
Mounting

The LED Well Light is an in-ground fixture and should be installed with back fill according to the Eagle Mountain installation instructions. A 3/4" conduit entry is supplied into the anti-siphon chamber of the housing. The LED Driver enclosure can be mounted directly to a flat surface or via tree standoffs.

BURIAL LIGHT SERIES IGCOMLGT04-LED



Dimensions



Technical Data

Part#	Color Temperature	Optic	Ring	Lens	Driver
IGCOMLGT04-LED	5500K	15° Spot	Stainless Steel	Walkover Lens	Single Remote Driver