



	Type ABOVE GROUND LIGHT

FEATURES & SPECIFICATIONS

Application

This small square compact HID flood light is ideal for illuminating flagpoles ranging from 30' to 40'.

Construction & Finish

Die-cast aluminum housing with a bronze powder-coat finish.

Lens

Clear, tempered lens furnished with a high-temperature silicone gasket for a water-tight seal. Provided with silicone gasket grease.

Lamp

100-watt metal halide multi-tap medium base universal burn lamp.

Mounting

A 1/2" threaded knuckle is standard.

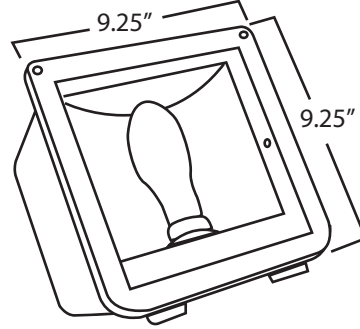
Listing

ETL listed.

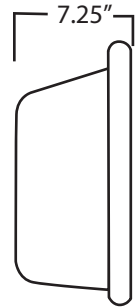
Warranty

One year warranty on the fixture and finish, one year on the ballast, and 90 days on the lamp.

ABOVE GROUND LIGHT SERIES
120 / 208 / 240 / 277 Volt (Multi-Tap)
AGCOMLGT03



DIMENSIONS



ACCESSORIES

Shields

- 3 Sided Shield
- 3 Sided Bug Shield



Guards

- Wire Guard
- Polycarbonate Guard



Shields

- Tree Mount Base
- 2.5" Bullhorn Slipfitter with 1/2" hub



Louvers

